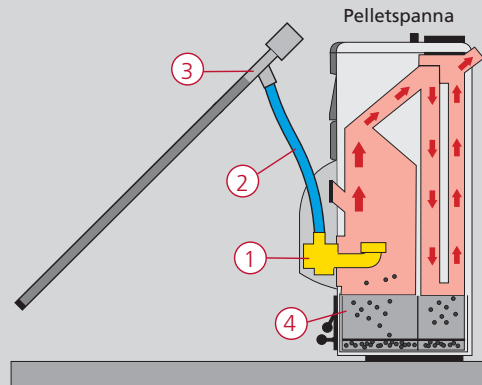
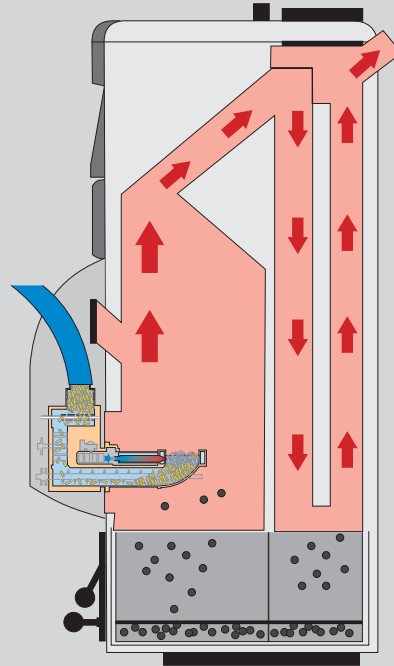


# ARITERM PELLET SYSTEM



1. Pelletsbrännare 2. Fallslang till brännare  
3. Matningssystem för pellets 4. Asklåda

■ **Arterm pellet system – complete from storage to boiler/burner. The market's most convenient!**

The Biomatic+ 30 is a boiler with a modern design construction combined with our recognised secure and reliable pellet burner.

Convenience, environmental performance and efficiency are the best imaginable, in order to fulfill the requirement for easy handling and efficient pellet heating.

Biomatic+ 30 has a constant convection system that reduces deposition allowing the boiler to retain a high level of efficiency between services.

The need for servicing depends in pellet quality and output needs (fuel consumption) and varies seasonally. The generously sized ash container is simple to pull out and empty. The container has a volume of 50 litres which corresponds to the volume of ash normally obtained at a combustion of 2 tons of pellets at 0.5 % ash content and normal volume weight.

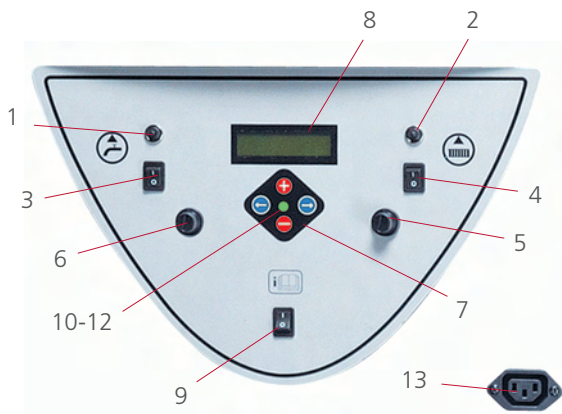
**Automatic control**

The control system is specially designed for pellet combustion and permits efficient control at 3 different settings.

The control display provides information about operational status, such as, boiler temperature, exhaust temperature, rate of pellet consumption, amount of pellets remaining in storage, warning functions, etc.

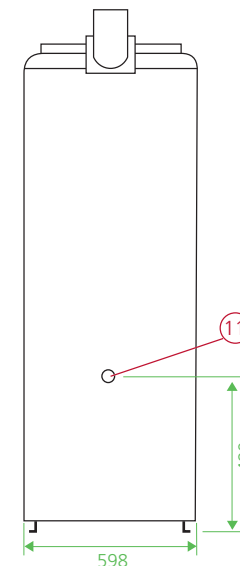
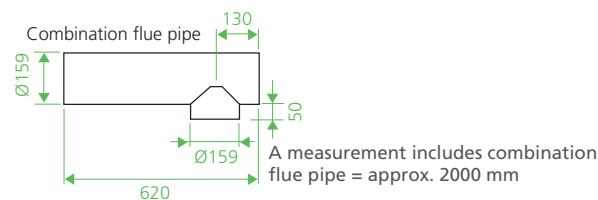
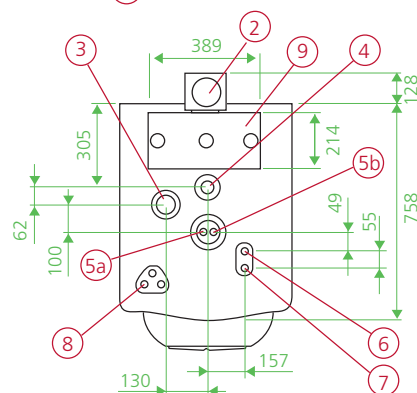
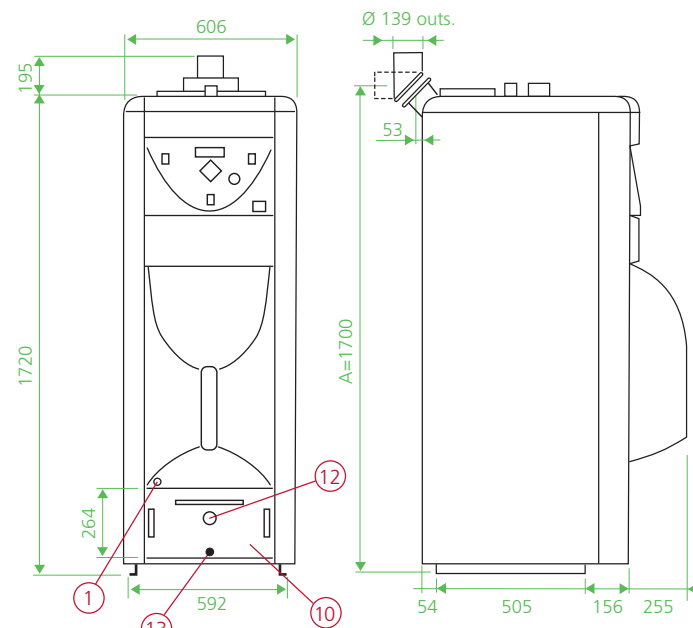


# PELLET BOILER BIOMATIC+ 30



### Control panel

1. Fuse, circulation pump hotwater circuit
2. Fuse, circulation pump external heating circuit
3. Switch, circulation pump hotwater circuit
4. Switch, circulation pump external heating circuit
5. Overheating protection, burner
6. Overheating protection, electric heating element
7. Control unit function keys
8. Display for info about operational status
9. On/off switch
10. Green indicating light
11. Red cause-indicating light
12. Flashing cause-indicating light
13. Connection to external auger 230 V



### Delivery includes:

- Shunt valve ESBE TM 20
- Sweeping gear
- Combination flue for horizontal and vertical installation

### Accessories:

- Burner assembly kit and double thermometer for oil burner
- Shunt outlet

### Chimney

When installing a new boiler the chimney should always be inspected to check for tightness, draught and risk of condensation. Any draught regulator or inlet pipe should be installed.

1. Drain DN 15
2. Flue pipe connection Ø 139
3. Additional shunt outlet DN 25 optional (accessory)
4. Expansion DN 25 optional
5. Shunt outlet
  - a) Feed line Cu 22 / DN 20
  - b) Return line Cu 22 / DN 20
6. Cold water Cu 22
7. Hotwater Cu 22
8. Cable bushing
9. Sweeping hatch
10. Ash box DN 25 outs
11. Return line DN 25 outs
12. Rosette vent
13. Ash compressor

Biomatic+ 30		
Output, pellets	kW	12-30
Output, oil	kW	30
Water volume, boiler	liter	142
Weight (gross)	kg	330
Recommended draught ratio	mm vp	0,5-2,0
Recommended chimney diameter Ø mm		150

Always consult with the sweeper about the boiler's arrangement.

Local Dealer