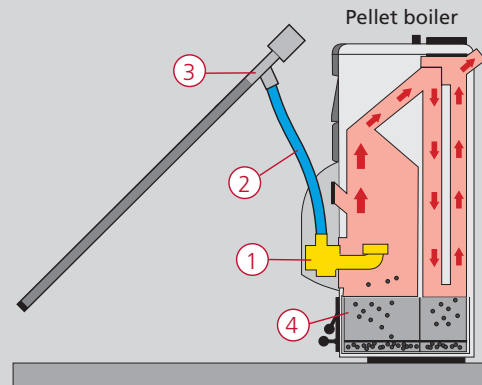
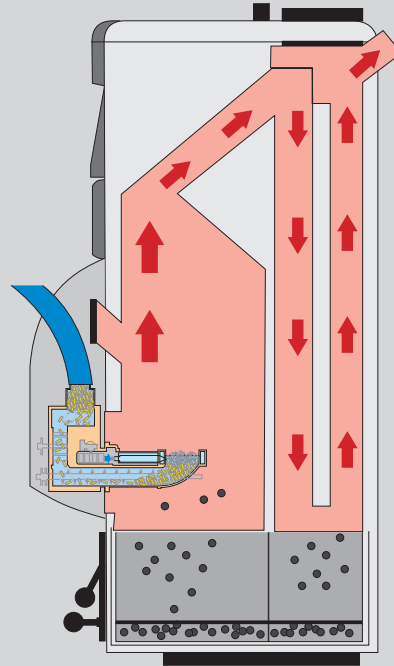


# ARITERM PELLET SYSTEM



1. Pellet burner 2. Drop hose to burner  
3. External feeding system 4. Ash box

## ■ Arterm pellet system – complete from storage to boiler/burner. The market's most convenient!

The Biomatic+ 50 is a boiler with a modern design construction combined with our recognised secure and reliable pellet burner. Convenience, environmental performance and efficiency are the best imaginable, in order to fulfil the requirement of easy handling and efficient pellet heating.

Biomatic+ 50 has a constant convection system that reduces coatings of deposits thereby making the boiler able to retain a high level of efficiency between services.

The need for servicing depends on pellet quality and output needs (fuel consumption) and varies according to the season. The generously sized ash container is simple to pull out and empty. The container has a volume of 50 litres which corresponds to the volume of ash normally obtained at a combustion of 2 tons of pellets at 0.5 % ash content and normal volume weight.

### Automatic control

The control system is specially designed for pellet combustion and permits efficient control at 3 different settings. The control display provides information about operational status, such as, boiler temperature, exhaust temperature, rate of pellet consumption, amount of pellets remaining in storage, alarm functions, etc.

From the point of view of convenience Biomatic+ 50 shows its real advantages when in a complete pellet system with feeding from a storage container which is filled by the pellets being blown in from the bulk vehicle.

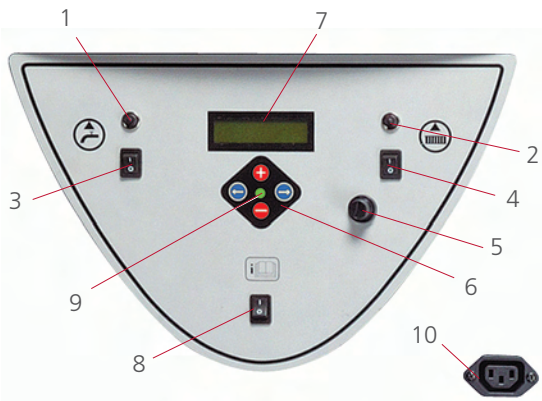
### Automatic ash removal

For Biomatic+ 50 there are different solutions for automatic ash removal.

### Oil heating

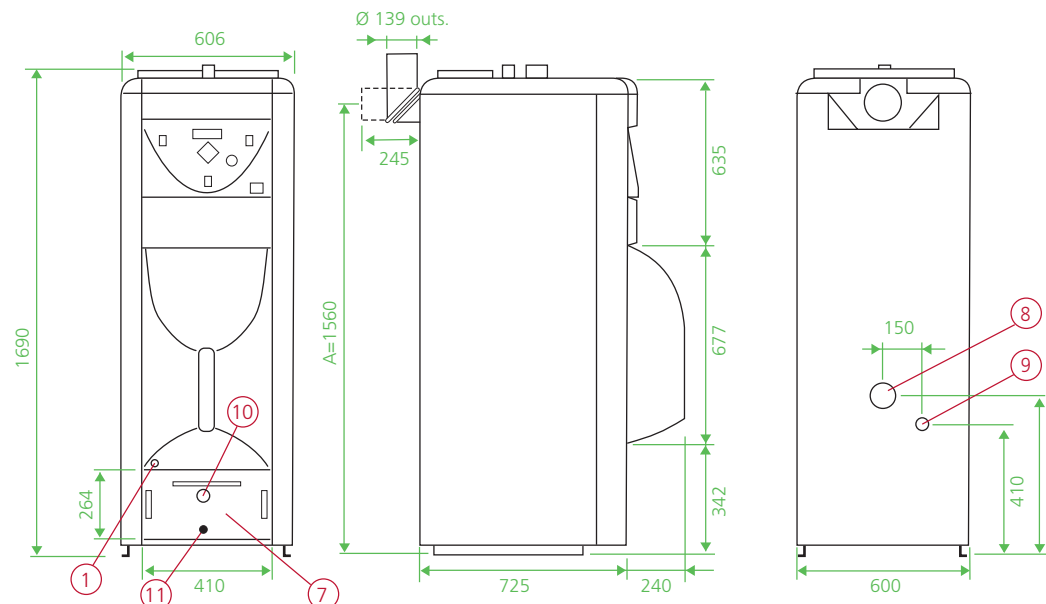
Adapted hatch and ash box parts that make Biomatic+ 50 an even more efficient oil burner are available as accessories.

# PELLET BOILER BIOMATIC+ 50

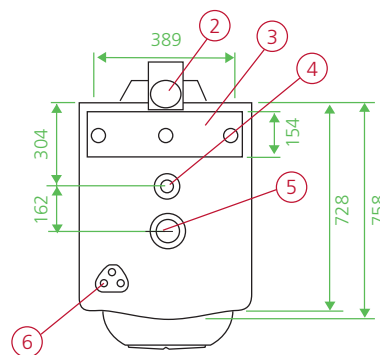


### Control panel

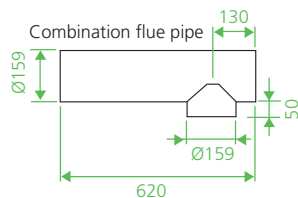
1. Fuse, circulation pump external hotwater circuit
2. Fuse, circulation pump external heating circuit
3. Switch, circulation pump external hotwater circuit
4. Switch, circulation pump external heating circuit
5. Overheating protection, burner
6. Control unit function keys
7. Display for info about operational status
8. On/off switch
9. Green indicating light  
Red cause-indicating light  
Flashing cause-indicating light
10. Connection to external auger 230 V



Height measurement excludes adjustable feet



1. Drain DN 15
2. Flue pipe connection Ø 139
3. Sweeping hatch
4. Expansion DN 25 int.
5. Feed line DN 50 int.
6. Cable bushing
7. Ash box
8. Return line DN 50 int.
9. Return line DN 25 int.
10. Rosette vent
11. Ash compressor



A measurement including combination flue pipe = approx. 1860 mm

### Delivery includes:

- Sweeping gear
- Combination flue for horizontal and vertical installation

### Accessories:

- Hotwater heat exchanger
- Burner assembly kit for oil burner

### Chimney

When installing a new boiler the chimney should always be inspected to check for tightness, draught and risk of condensation. Any draught regulator or inlet pipe should be installed.

Biomatic+ 50		
Output, pellets	kW	25-50
Output, oil	kW	max 50
Water volume, boiler	litre	115
Weight (gross)	kg	452
Rec. draught ratio	mm vp	1,0-3,0
Rec. chimney diameter	Ø mm	150

Always consult the sweeper about the boiler's arrangement.

Local Dealer